



## Tubs

Nahtrang Studio

Table lamp Tubs LED 13.3W 3000K TOUCH DIMMING Black 404lm

### Technical features

- Luminaire total power: 13.3W
- Real lumens: 444
- Real lm/W: 33
- Correlated Colour Temperature (CCT): 3000K
- Lens / reflector angle: HORIZONTAL 125°
- Structure material: Steel, Aluminium, Marble
- Structure finish: Black
- Diffuser material: Polycarbonate
- Diffuser finish: Opal
- Voltage / frequency: 220-240V/50-60Hz
- Dimming protocol: TOUCH DIMMING
- Power Factor: 0.40
- Useful life: 50,000h L80B20
- Warranty: 5 years
- Easily recyclable luminaire



### Luminotechnic features

- CRI: 92
- MacAdam steps: 3
- Photobiological risk: RGO

Lampholder	Quantity	Light source power (W)	Correlated Colour Temperature (CCT)
LED	1	10.5W	3000K

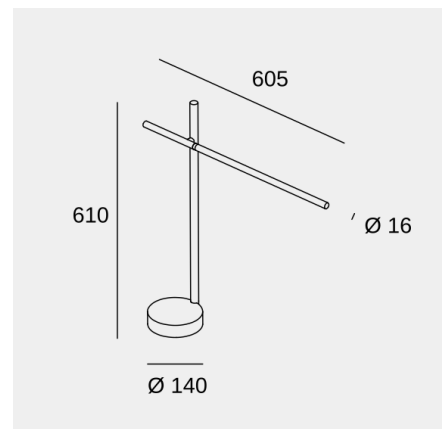
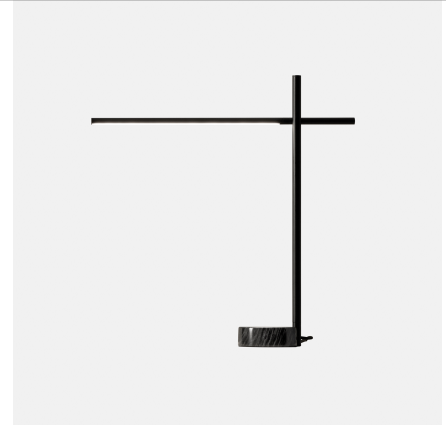


Image may not match reference. LedsC4 reserves the right to amend any of the product's components. The data related to flux, power and colour temperature may be subject to changes made by the manufacturer.



## Tubs

Nahtrang Studio

Table lamp Tubs LED 13.3W 3000K TOUCH DIMMING Black 404lm

### Logistics



x 4

Net weight (kg): 2.31

Packaged weight (kg): 4

Packaging: 235mm x 215mm x  
740mm

### Light application



Image may not match reference. LedsC4 reserves the right to amend any of the product's components. The data related to flux, power and colour temperature may be subject to changes made by the manufacturer.